



Quick Installation Guide

EFOY Pro Series

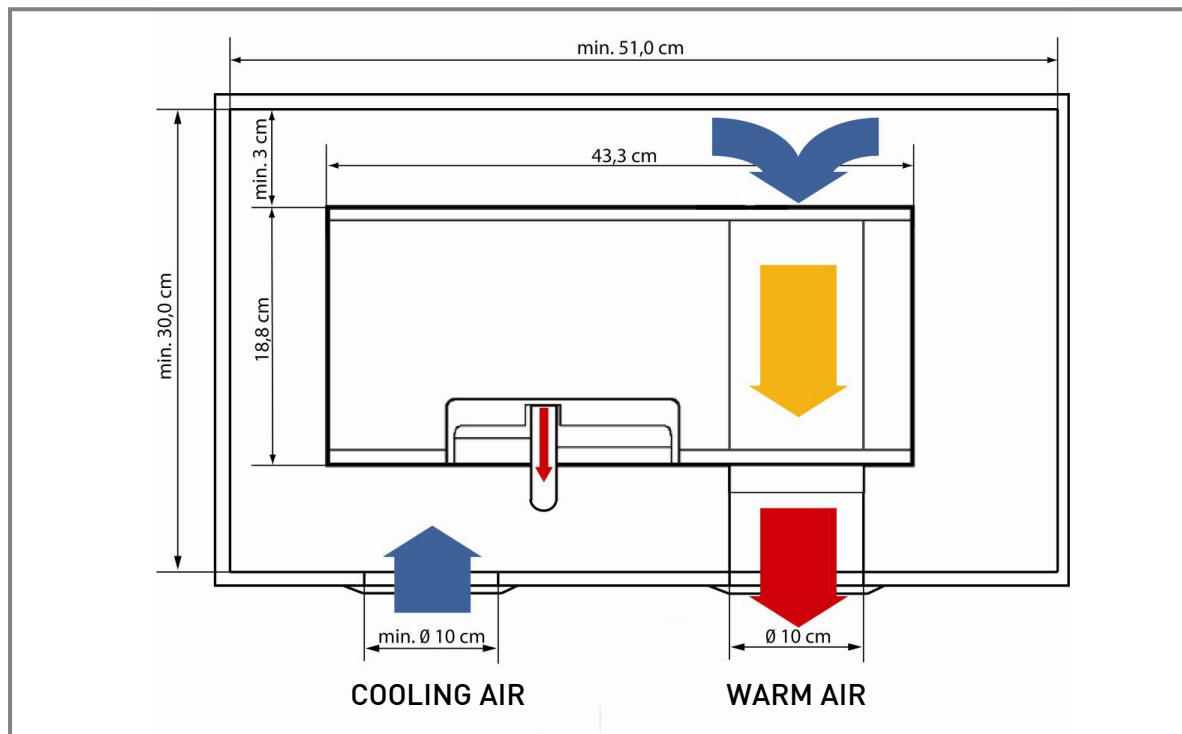
Please read the safety information in the Operation and Installation Manual for the EFOY Pro Series first. This guide does not replace the Operation and Installation Manual and should only be used for technical assistance.

Installation Space Requirements

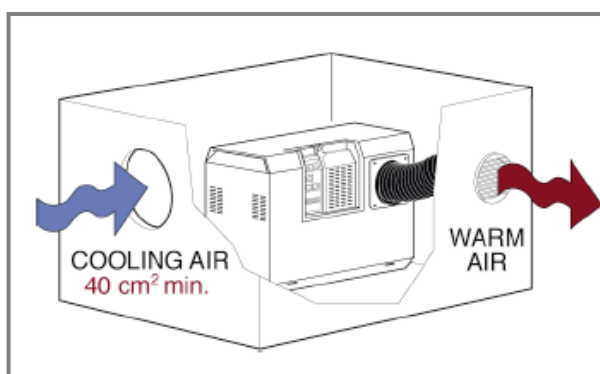
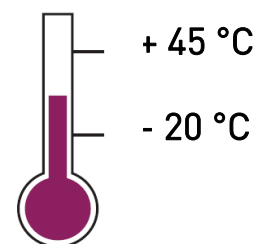
Make sure when choosing an installation space, that there is enough space available for cooling, off-heat, etc. .

Minimum size of space: 51 x 35 x 30 cm (L x W x H)

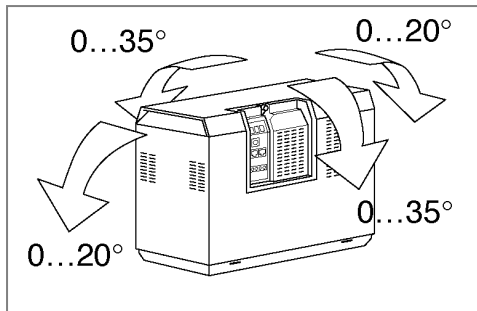
The air intake for the heat exchange and the stack requires min. 3 cm between the EFOY Pro and the installation space.



The EFOY Pro fuel cell requires cooling and fresh air from the outside and generates off-heat that need to be conducted to the outside. Please take this into account when considering possible locations. The operating temperature ranges between -20 °C and +45°C.



In close chambers please provide an opening with a cross section of at least 10 cm or 40 cm² for air intake.

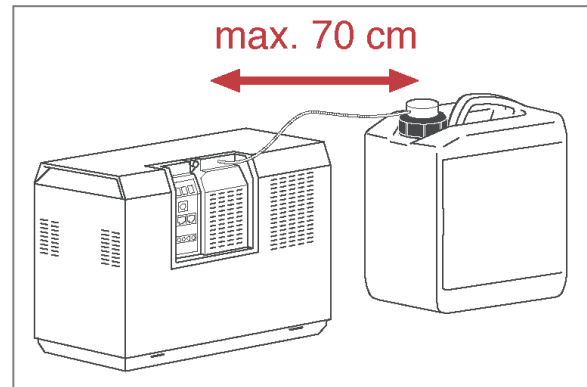


Make sure that the device does not exceed the maximum inclination.

Inclination along the direct axis:
35° (temporary 45°)

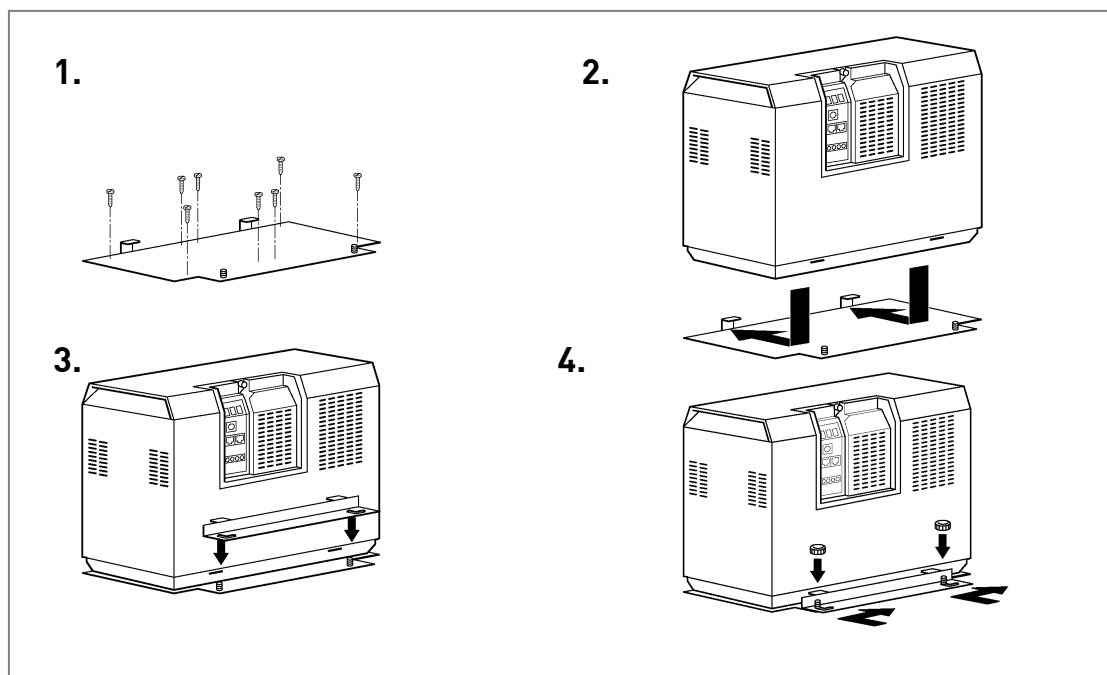
Inclination along the quadrature axis:
20° max.

Make sure that the fuel cartridge is located within reach of the connecting hose (70 cm) and that the hose is neither kinked nor crushed. The fuel cartridge can also be located outside the installation space.



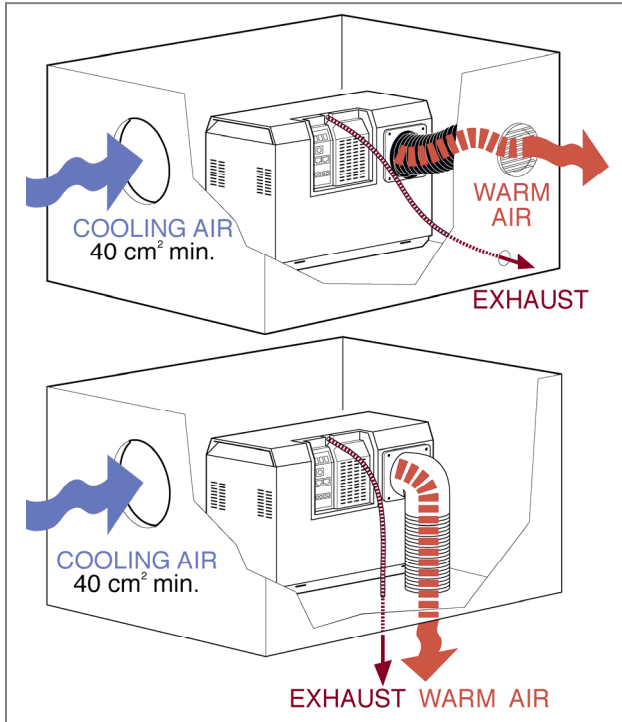
Mounting the EFOY Pro fuel cell

1. Secure the mounting plate
2. Place the unit onto the mounting plate
3. Put the mounting bar on the mounting plate
4. Adjust the mounting bar with the two mounting nuts



Connecting the Off-Heat duct and Exhaust hose

The off-heat duct (included) extracts warm air so that the unit can also be operated in close quarters.



The off-heat of the heat exchanger needs to be conducted to the outside with a 10 cm duct.

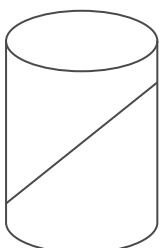
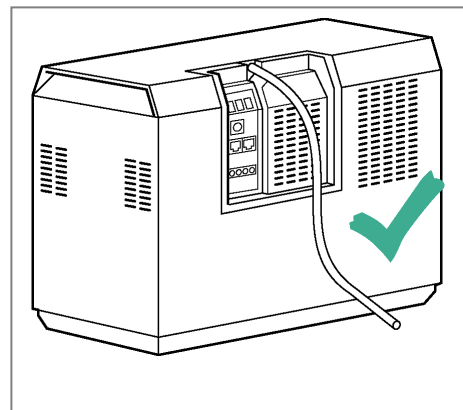
It is possible to collect the generated water in a separate water cartridge. **But make sure that there is a hose that allows the gasses including the carbon dioxide to evaporate from the water cartridge to the outside.**

Remove the cap from the exhaust port. Retain the cap for winter storage or for possible returns.

The opening for the isolated exhaust hose must be 1 cm in diameter.

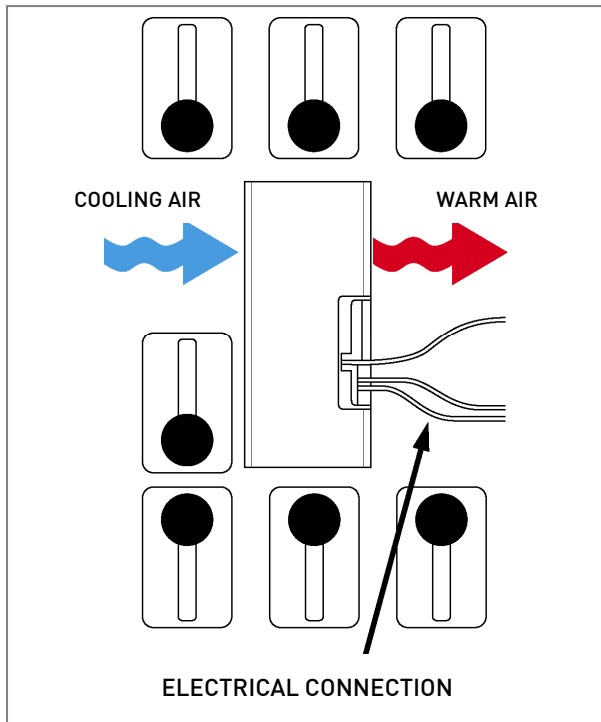
At no time may siphoning occur in the hose. Make sure that the hose is neither clogged nor blocked. Use the isolated exhaust hose to prevent freezing.

The exhaust hose may not be longer than 50 cm in order to prevent freezing in winter. The hose may be up to 150 cm long for summer operation and during transitional seasons.



Cut the end of the exhaust hose diagonal to prevent freezing

Installing the Fuel Cartridge Holder

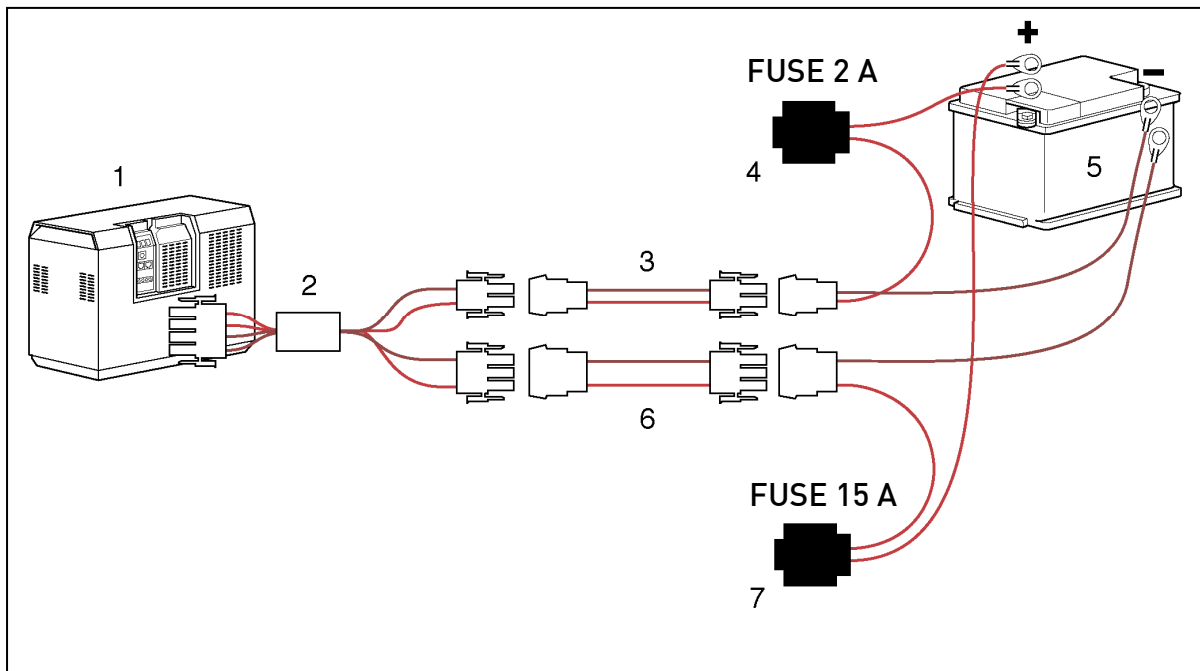


Do not place fuel cartridges or reserve cartridges in front of the air intake or outlet!

Do not place objects such as reserve fuel cartridges in front of the air intake or outlet.

Secure the fuel-cartridge holder with four suitable screws and dowels, if necessary, so that it will not shake loose in the case of an accident.

Electrical Connection to the Battery



- 1. EFOY Pro Series
- 2. Connecting line to fuel cell
- 3. Extension sense line (optional)
- 4. Battery fuse 2 A

- 5. 12 or 24 V Battery
- 6. Extension power line (optional)
- 7. Battery fuse in power line 15 A

After the electrical connection to the battery the EFOY Pro fuel cell will start operating. For detailed installation and operation settings please read the operation and installation manual for the EFOY Pro Series.